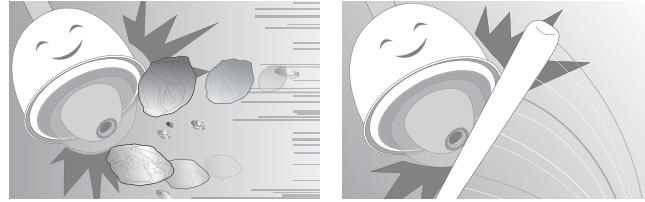


Vandal Proof

LG's speed domes are designed to withstand any kind of vandalism, which is a crucial feature for cameras that are installed outdoors, since the cameras are not guarded all the time.



IP66

Tested and certified, the IP66 feature adds the finishing touch to the Outdoor Speed Dome cameras, which frequently faces weather problems from time to time, making it immune to rain or moisture that may cause damage to cameras.



Privacy Masking

Up to 8 zones can be manually "masked" or "covered" to ensure privacy on areas or objects that should not be exposed.



Programmable Presets/Tours/Patterns

With various options of presets, tours, patterns, and auto-panning, the LT series can be programmed to scan a wide area, to not miss a single detail



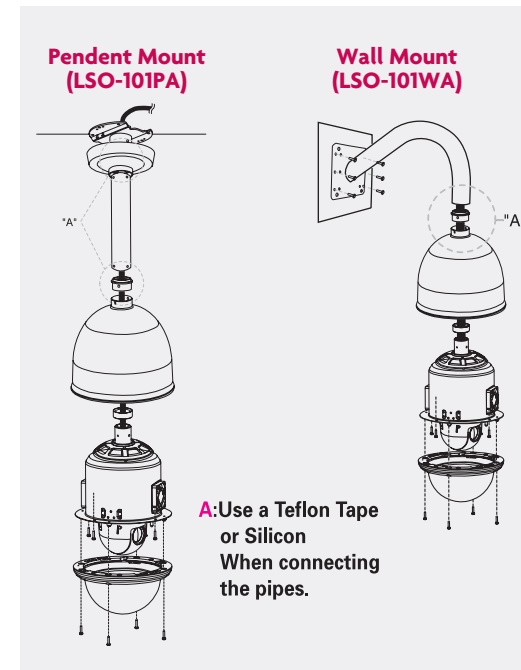
X27 PTZ DOME CAMERA

LT703P-B(PAL)/LT703N-B(NTSC)

Features

- 540 TV Lines of Horizontal Resolution
- x27 Optical Zoom (Auto Focus)
- x12 Digital Zoom
- Up to 62dB Wide Dynamic Range
- HSBLC
- ICR Day & Night
- 8ch Alarm Input / 4ch Alarm Output
- Panning : 0°-360°, Max. 240°/Sec
- Tilting : 0°-180°, Max. 240°/Sec
- 8 Areas Privacy Zone Masking
- 128 Preset Positions, 256 IDs
- Max 9 Group Tours
- Max 8 Minutes Pattern
- RS485 Communication

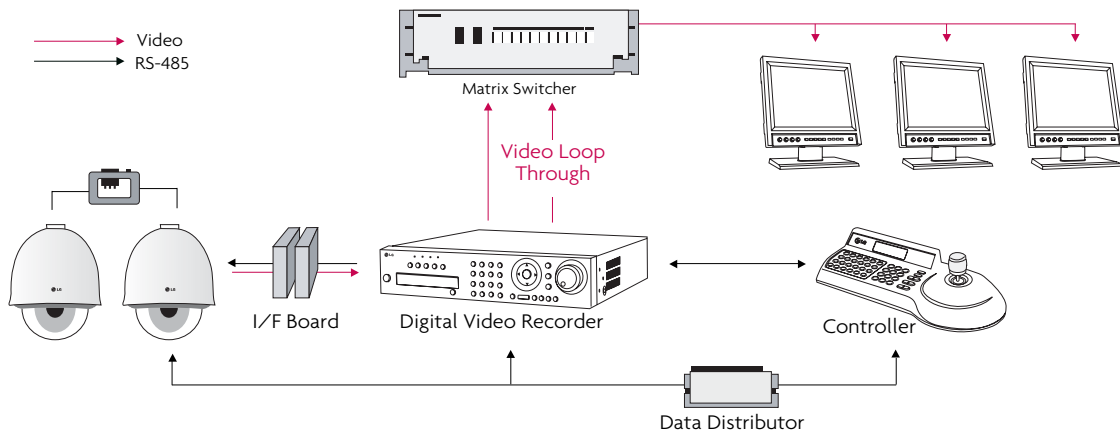
Installation



Specifications

Model	LT703P-B	LT703N-B
Signal System	PAL	NTSC
Total Pixels No.	470K	410K
Image Device	1/4" Ex View CCD	
Lens	X27 Zoom (F1.5(W), F3.8(T) f=3.25-88mm)	
Synchronization System	Internal	
Scanning Frequency(H)	15.734 KHz	15.625 KHz
Scanning Frequency(V)	59.94 Hz	50 Hz
Horizontal Resolution	540 TV Lines	
S/N Ratio	More Than 50dB (AGC Off)	
Minimum Illumination	Color: 0.003 (0.6, Sens-up Off), B/W: 0.0001 (0.1, Sens-up Off)	
Digital Zoom	x12	
Video Output Signal	1Vp-p Composite (75Ω)	
Control Method	RS 485	
Dome ID	256	
Alarm Input	8 Inputs	
Alarm Output	4 Outputs	
Privacy Zone Masking	8 Zones	
Wide Dynamic Range	Off / WDR / BLC / HSBLC	
Electronic Sensitivity	Off/Auto / Fix : x2, x3, x4,..., x128	
Electronic Shutter	1/50 to 1/90,000	1/60 to 1/90,000
Focus Mode	Auto / Zooming / ONE Push / Manual	
Iris Control	Auto / Manual	
White Balance	Auto / ATW / ONE PUSH / Manual(1800 °k - 10,500 °k)	
Panning Range & Speed	0°-360°, Max 240°/Sec	
Tilting Range & Speed	0°-180°, Max 240°/Sec	
Auto Panning	2-8 points	
Preset / ID	128 Positions/256	
Group Touring	Max. 9 Groups	
Pattern Recording & Play	Max. 8 minutes	
Power Source	AC 24V	
Power Consumption	Max. 20W	
Operation Temp. / Humidity	-10°C - 50°C (Humidity: 0%RH-60%RH)	
Storage Temp. / Humidity	-20°C - 60°C (Humidity: 0%RH-85%RH)	
Dimension(ø x H)	ø230 x 332mm(H)	
Weight	3.3kg	

System Application

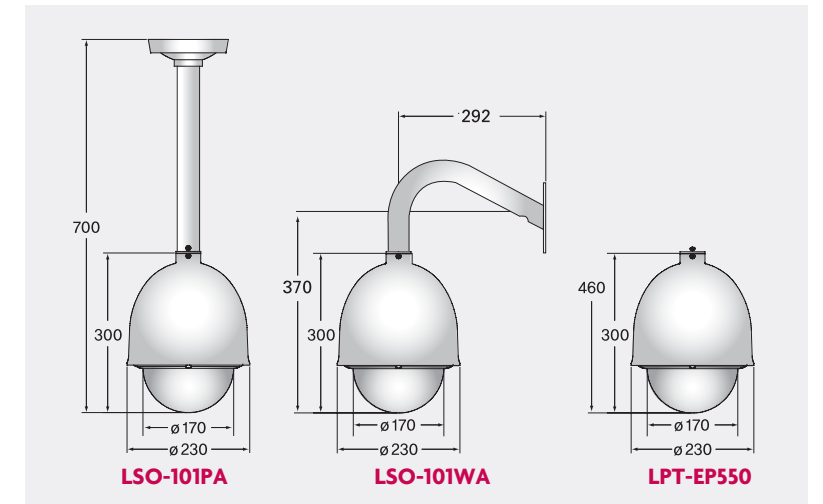


The new LT series is designed to be easily applied to any installations, environments, or circumstances. LG's new speed dome is not just for simple surveillance, but can be utilized in many ways, in various needs of Integrations. Also, LG is open to sharing its SDK, making the usage of the new LT series possible to almost any environment or needs.

Brackets



Dimension (unit : mm)



Dome Camera