

IP CAMERA

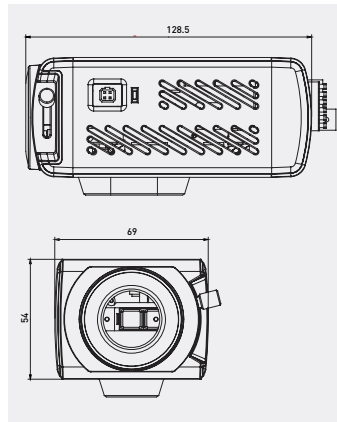
LSW900P(PAL)/LSW900N(NTSC)



Features

- 540 TV Lines
- 1/3" Vertical Double Interline CCD
- Min. Illumination : 0.1 Lux(Color mode, Sens up off) 0.00003lux(B/W Mode, Sens up on)
- Compression : H.264(Basic Profile), MJPEG, Dual Stream Support
- Resolution(Max) : 704 \* 480(NTSC), 704 \* 576(PAL)
- Frame Rate(Max) : 30 fps/25fps(NTSC/PAL) @ D1
- Protocol : TCP/IP(IPv4), HTTP, HTTPS, RTP,RTSP,UDP,DHCP,FTP,SMTP,NTP,ARP,ICMPDDNS(LG)
- Smart Station (Video Management Support up to 64 channels)
- Optional VCA(Video Contents Analysis)
- 8 Privacy Masking
- PoE, AC24, DC12V(±10%)

Dimension (unit : mm)



Specifications

Model	LSW900P (PAL)	LSW900N (NTSC)	
Image	CCD	Image Sensor 1/3" Vertical Double Interline CCD	
	Lens	Type C/CS Mount	
	VIDEO	Video Out 1.0Vp-p Composite Signal (75ohm)	
	Functions	Auto Gain	OFF/ LOW/ MIDDLE/ HIGH
		Control	
		Exposure	ALC/ELC
		Electric Shutter	1/50 - 1/90,000(PAL), 1/60-1/90,000(NTSC)
		Da / Night	True Day and Night ( Auto/ Day / Night )
	Sens-Up	xl-xl28(Auto/Manual Mode)	
	Min. Illumination	0.1 Lux(Color mode, Sens up off) 0.00003lux (B/W Mode, Senseup on)	
Resolution	540 TV Lines		
White Balance	ATW / AWC / Manual (1,700°K - 11,000°K)		
Video	Backlight Compensation	BLC / WDR	
	3D-DNR	OFF/ Low/ Middle/ High	
	Privacy Masking	8 Zone	
	Digital Zoom	X8	
	Dis(Stabilizer)	ON/OFF	
	Digital Effect	OFF/ V-Flip / Mirror / Rotate	
	Sharpness	Adjustable	
	Resolution(Max)	704 * 480(NTSC), 704 * 576(PAL)	
	Output	RJ-45(Network), CVBS(Monitor)	
	Frame Rate(Max)	30 fps/25fps(NTSC/PAL) @ D1	
Streaming	Compression	H.264(Basic Profile) MJPEG	
	Dual Stream Support		
	Independent selection of Audio/Video Codec		
Audio	Direction	Full Duplex(Line level input/output) Audio Input 1Ch, Audio Output 1Ch	
	Compression	G.726, G.711(A-law, u-law)	
Alarm	Alarm In/Out	1 digital inputs, 1 relay outputs	
	Pre/Post Alarm Buffer	Pre Alarm Buffer Post Alarm Buffer	
	VCA (Video Contents Analysis)	Intruder detection(Optional) Tripwire(Optional) Object Removal(Optional) Object Counting(Optional) Tampering(Optional)	
Security/Event	Event Detection	Alarm In, VCA	
	Event Notification	Relay, SMTP, FTP	
Network	ID / Password	Multi level user ID/password(Admin, Power,Normal, Customer)	
	Encryption	HTTPS(SSL,TLS)	
	Physical Layer	10/100base TX Ethernet	
	Protocol	TCP/IP(IPv4), HTTP, HTTPS, RTP,RTSP,UDP,DHCP,FTP,SMTP,NTP,ARP,ICMPDDNS(LG)	
Management	IP support	Dynamic, Static, Private IP	
	Remote Administration	Remote configuration and status using web-based tool	
Application	System Update	Remote system update over network using web client	
	PC Client	PC application client with a channel recording feature support	
Other	Web Client	Viewer through HTTP,HTTPS System Configuration Setting / Streaming Application is Java	
	Simultaneous Connection	Unicast 10 Streams / 50 user registration	
Environment	Operating Connection	-10°C - 50°C	
Power	PoE	PoE,AC24,DC12V(±10%)	
Size	Dimension	69(W)*54(D)*128.5(H)	
Other		RS-485 Support	

IP CAMERA

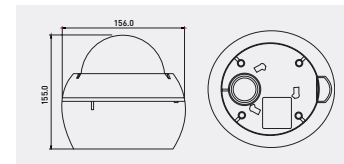
LVW900P(PAL)/LVW900N(NTSC)



Features

- 540 TV Lines
- 1/3" Vertical Double Interline CCD
- Varifocal Lens(2.8-11mm)
- Min. Illumination : 0.1 Lux(Color mode, Sens up off) 0.00003lux(B/W Mode, Sens up on)
- Compression : H.264(Basic Profile), MJPEG, Dual Stream Support
- Resolution(Max) : 704 \* 480(NTSC), 704 \* 576(PAL)
- Frame Rate(Max) : 30 fps/25fps(NTSC/PAL) @ D1
- Protocol : TCP/IP(IPv4), HTTP, HTTPS, RTP,RTSP,UDP,DHCP,FTP,SMTP,NTP,ARP,ICMPDDNS(LG)
- Smart Station (Video Management Support up to 64 channels)
- Optional VCA(Video Contents Analysis)
- 8 Privacy Masking
- PoE, AC24, DC12V(±10%)
- Vandal Proof, IP66,3-Axis

Dimension (unit : mm)



Brackets



Specifications

Model	LVW900P (PAL)	LVW900N (NTSC)	
Image	CCD	Image Sensor 1/3" Vertical Double Interline CCD	
	Lens	Type Varifocal Lens(2.8-11mm)	
	VIDEO	Video Out 1.0Vp-p Composite Signal (75ohm)	
	Functions	Auto Gain	OFF/ LOW/ MIDDLE/ HIGH
		Control	
		Exposure	ALC/ELC
		Electric Shutter	1/50 - 1/90,000(PAL), 1/60-1/90,000(NTSC)
		Da / Night	True Day/Night(Vari focal Lens) ( Auto/ Day / Night )
	Sens-Up	xl-xl28(Auto/Manual Mode)	
	Min. Illumination	0.1 Lux(Color mode, Sens up off) 0.00003lux(B/W Mode, Senseup on)	
Resolution	540 TV Lines		
White Balance	ATW / AWC / Manual (1,700°K - 11,000°K)		
Video	Backlight Compensation	BLC / WDR	
	3D-DNR	OFF/ Low/ Middle/ High	
	Privacy Masking	8 Zone	
	Digital Zoom	X8	
	Dis(Stabilizer)	ON/OFF	
	Digital Effect	OFF/ V-Flip / Mirror / Rotate	
	Sharpness	Adjustable	
	Resolution(Max)	704 * 480(NTSC), 704 * 576(PAL)	
	Output	RJ-45(Network), CVBS(Monitor)	
	Frame Rate(Max)	30 fps/25fps(NTSC/PAL) @ D1	
Streaming	Compression	H.264(Basic Profile) MJPEG	
	Dual Stream Support		
	Independent selection of Audio/Video Codec		
Audio	Direction	Full Duplex(Line level input/output) Audio Input 1Ch, Audio Output 1Ch	
	Compression	G.726, G.711(A-law, u-law)	
Alarm	Alarm In/Out	1 digital inputs, 1 relay outputs	
	Pre/Post Alarm Buffer	Pre Alarm Buffer Post Alarm Buffer	
	VCA (Video Contents Analysis)	Intruder detection(Optional) Tripwire(Optional) Object Removal(Optional) Object Counting(Optional) Tampering(Optional)	
Security/Event	Event Detection	Alarm In, VCA	
	Event Notification	Relay, SMTP, FTP	
Network	ID / Password	Multi level user ID/password(Admin, Power,Normal, Customer)	
	Encryption	HTTPS(SSL,TLS)	
	Physical Layer	10/100base TX Ethernet	
	Protocol	TCP/IP(IPv4), HTTP, HTTPS, RTP,RTSP,UDP,DHCP,FTP,SMTP,NTP,ARP,ICMPDDNS(LG)	
Management	IP support	Dynamic, Static, Private IP	
	Remote Administration	Remote configuration and status using web-based tool	
Application	System Update	Remote system update over network using web client	
	PC Client	PC application client with a channel recording feature support	
Other	Web Client	Viewer through HTTP,HTTPS System Configuration Setting / Streaming Application is Java	
	Simultaneous Connection	Unicast 10 Streams / 50 user registration	
Environment	Operating Connection	-30°C - 50°C(Heater)	
Power	PoE	PoE,AC24,DC12V(±10%)	
Size	Dimension	156(Diameter)*155(H)	
Other		Vandal Proof, IP66,3-Axis	